



Features

■ Non lubrication

- Special housing and bushing enables self lubrication of piston rod.

■ High quality long service life

- Hard anodised stainless steel cylinder tubes offer a high resistance to corrosion and low internal friction.
- Cylinder mountings, available with a comprehensive range of accessories for rigid or flexible mounting.

■ Magnetic as standard

Specification

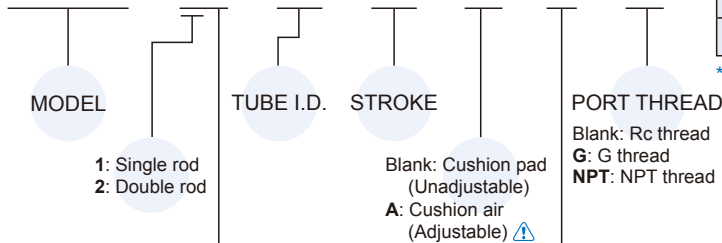
Model		MCMB			
Tube I.D.		20	25	32	40
Port size		Rc1/8			Rc1/4
Medium		Air			
Max. operating pressure		1 MPa			
Min. operating pressure	Double acting	0.05 MPa			
	Single acting	Extended: 0.23, Returned: 0.18 MPa			
Proof pressure		1.5 MPa			
Lubricator		Not required			
Ambient temperature		-5~+60°C (No freezing)			
Available speed range		50~750 mm/sec			
Max. allowable kinetic energy (J)	Cushion pad	0.27	0.4	0.65	1.2
	Cushion air	0.54	0.78	1.27	2.35
Sensor switch		RCM (Please refer to page 8-16)			
Sensor switch (band)		BM20	BM25	BM32	BM40

Table for standard stroke

Tube I.D.	Stroke (mm)
ø20,25,32,40	25,50,75,100,125,150,200,250,300

Order example

MCMB - 11 - 20 - 50 - A - N - G



Code	Symbol	Description
1 1		Double acting / Male thread
1 3		Single acting / Normally extended male thread
1 5		Single acting / Normally returned male thread
2 1		Double rod / Male thread
2 7		Double rod / Adjustable male thread Please mark "adjustable distance(mm)" at order list

Code	Symbol	Description
Blank		Standard type
N		End-plain
E		With pivot type

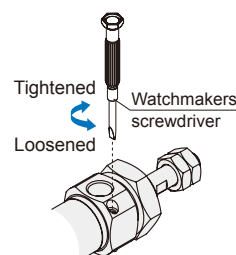
* Single acting type, please contact us.

* Order example for special specification, refer to page 0-7.

⚠ Caution

For (A) Cushion air (Adjustable)

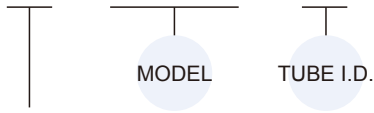
1. To adjust a cushion needle, please slowly turn the needle valve from the fully closed status to the required status which needs to be within 2.5 turns.
2. If the needle valve loosen excessively, the buffer doesn't take effect and the lifetime of cylinder would be shortened.



MINIATURE CYLINDER

Order example of mounting accessories

LB — MCMB — 20



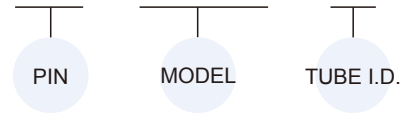
MOUNTING TYPE

	LB		SDB*
	CA		TA
	CB		TB
	FA		Y
	FB		I

* For end cover "E" type.

Pin

PIN — MCMB — 32 — Y — P



Mounting type	Description
Y-P	for Y & I connector
CB-P	for CA & CB connector
SDB-P	for SDB accessory

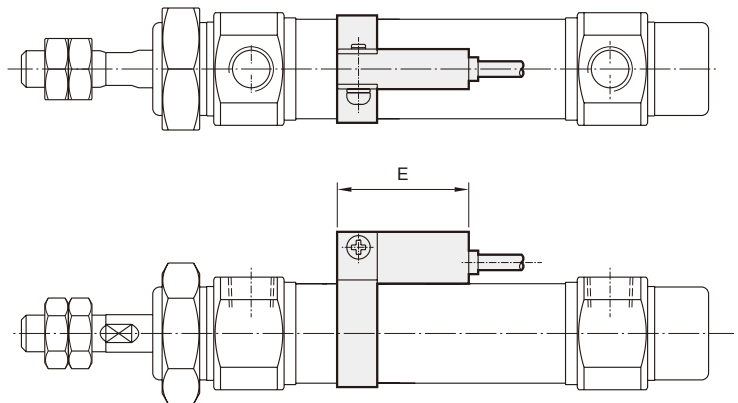
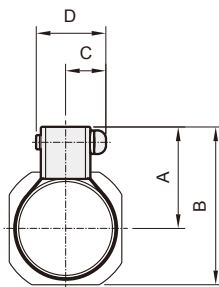
*P: With split pin / Snap ring

Installation of sensor switch

Sensor switch: RCM

Sensor switch band: BM**

Code Tube I.D.	A	B	C	D	E
20	22	34	10	16	28
25	25	40	10	16	28
32	28	46	10	16	28
40	32	54	10	16	28



Cylinder & accessories weight

Cylinder weight

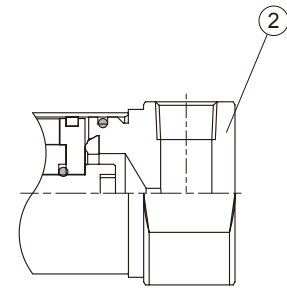
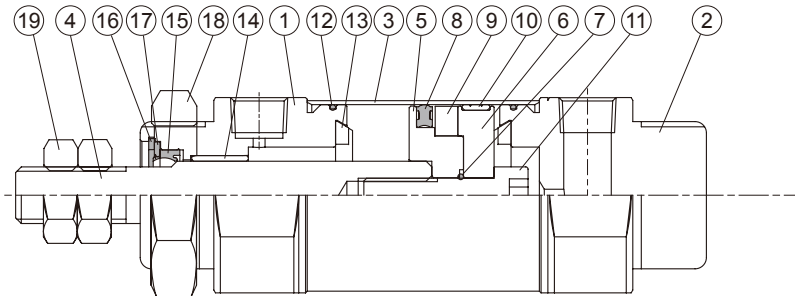
Unit: g

Model	Basic weight MCMB-11	Basic weight MCMB-11-N	Basic weight MCMB-11-E	Stroke 25 mm MCMB-11	Basic weight MCMB-11-A	Stroke 25 mm MCMB-11-A
Tube I.D.						
ø20	146	146	148	18	144	20
ø25	232	232	228	28	252	26
ø32	275	275	287	38	340	38
ø40	568	568	576	50	565	51

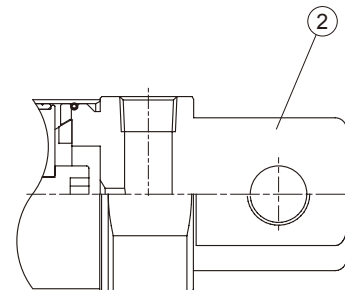
Accessories weight

Unit: g

Model	LB	CA	CB	FA/FB	SDB	TA/TB	Y	I	Pin	Rod nut	Cover nut
Tube I.D.											
ø20	122	53	49	66	62	37	53	63	13	4	19
ø25	129	63	69	73	62	47	49	62	13	8	23
ø32	129	63	69	73	140	47	49	62	13	8	23
ø40	207	162	168	124	140	94	230	164	43	16	50



N type



E type

Material

No.	Tube I.D. Part name	20	25	32	40	Q'y		Component parts (inclusion)	
						11 type	21 type	11 type	21 type
1	Rod cover	Aluminum alloy				1	2	●	●
2	Head cover	Aluminum alloy				1	–	●	
3	Tube	Stainless steel				1	1		
4	Piston rod	Carbon steel				1	1		
5	Piston-R	Aluminum alloy				1	1	●	●
6	Piston-H	Aluminum alloy				1	1	●	●
7	Piston gasket	NBR				1	1	●	●
8	Piston packing	NBR				1	1	●	●
9	Magnet ring	Magnet material				1	1	●	●
10	Wear ring	Resin				1	1	●	●
11	Piston bolt	SCM				1	–	●	
12	Cover ring	–	NBR			2	2	●	●
13	Cushion gasket	NBR				2	2	●	●
14	Rod bush	Bearing alloy				1	2	●	●
15	Rod packing *1	NBR				1	2	●	●
16	Snap ring	Spring steel				1	2	●	●
17	Washer	Carbon steel				1	2	●	●
18	Tie nut	Carbon steel				1	2	●	●
19	Rod front nut	Carbon steel				2	2	●	●

*1. Only the rod packing is repairable, please contact our sales if needed.

Order example of Component parts

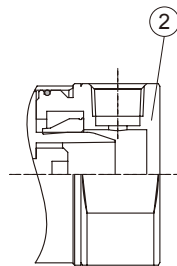
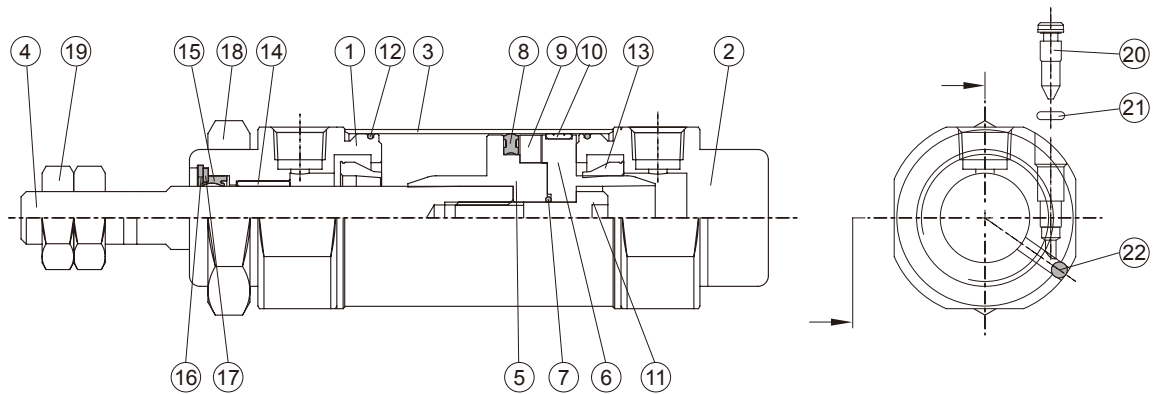
Tube I.D.	Component parts
ø20	CP-MCMB-20
ø25	CP-MCMB-25
ø32	CP-MCMB-32
ø40	CP-MCMB-40

Non-pivot type (End-plain)

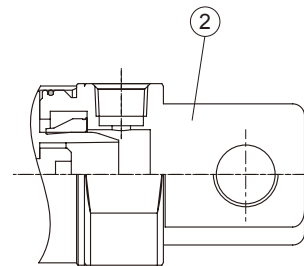
Tube I.D.	Component parts
ø20	CP-MCMB-20-N
ø25	CP-MCMB-25-N
ø32	CP-MCMB-32-N
ø40	CP-MCMB-40-N

Pivot type

Tube I.D.	Component parts
ø20	CP-MCMB-20-E
ø25	CP-MCMB-25-E
ø32	CP-MCMB-32-E
ø40	CP-MCMB-40-E



N type



E type

Material

No.	Tube I.D. Part name	20	25	32	40	Q'y		Component parts (inclusion)	
						11 type	21 type	11 type	21 type
1	Rod cover	Aluminum alloy				1	2	●	●
2	Head cover	Aluminum alloy				1	—	●	
3	Tube	Stainless steel				1	1		
4	Piston rod	Carbon steel				1	1		
5	Piston-R	Aluminum alloy				1	1	●	●
6	Piston-H	Aluminum alloy				1	1	●	●
7	Piston gasket	NBR				1	1	●	●
8	Piston packing	NBR				1	1	●	●
9	Magnet ring	Magnet material				1	1	●	●
10	Wear ring	Resin				1	1	●	●
11	Piston bolt	SCM				1	—	●	
12	Cover ring	—	NBR			2	2	●	●
13	Cushion packing	NBR				2	2	●	●
14	Rod bush	Bearing alloy				1	2	●	●
15	Rod packing *1	NBR				1	2	●	●
16	Snap ring	Spring steel				1	2	●	●
17	Washer	Carbon steel				1	2	●	●
18	Tie nut	Carbon steel				1	2	●	●
19	Rod front nut	Carbon steel				2	2	●	●
20	Needle valve	Stainless steel	Carbon steel			2	2	●	●
21	Needle valve packing	NBR				2	2	●	●
22	Steel ball	Stainless steel				2	2	●	●

*1. Only the rod packing is repairable, please contact our sales if needed.

Order example of Component parts

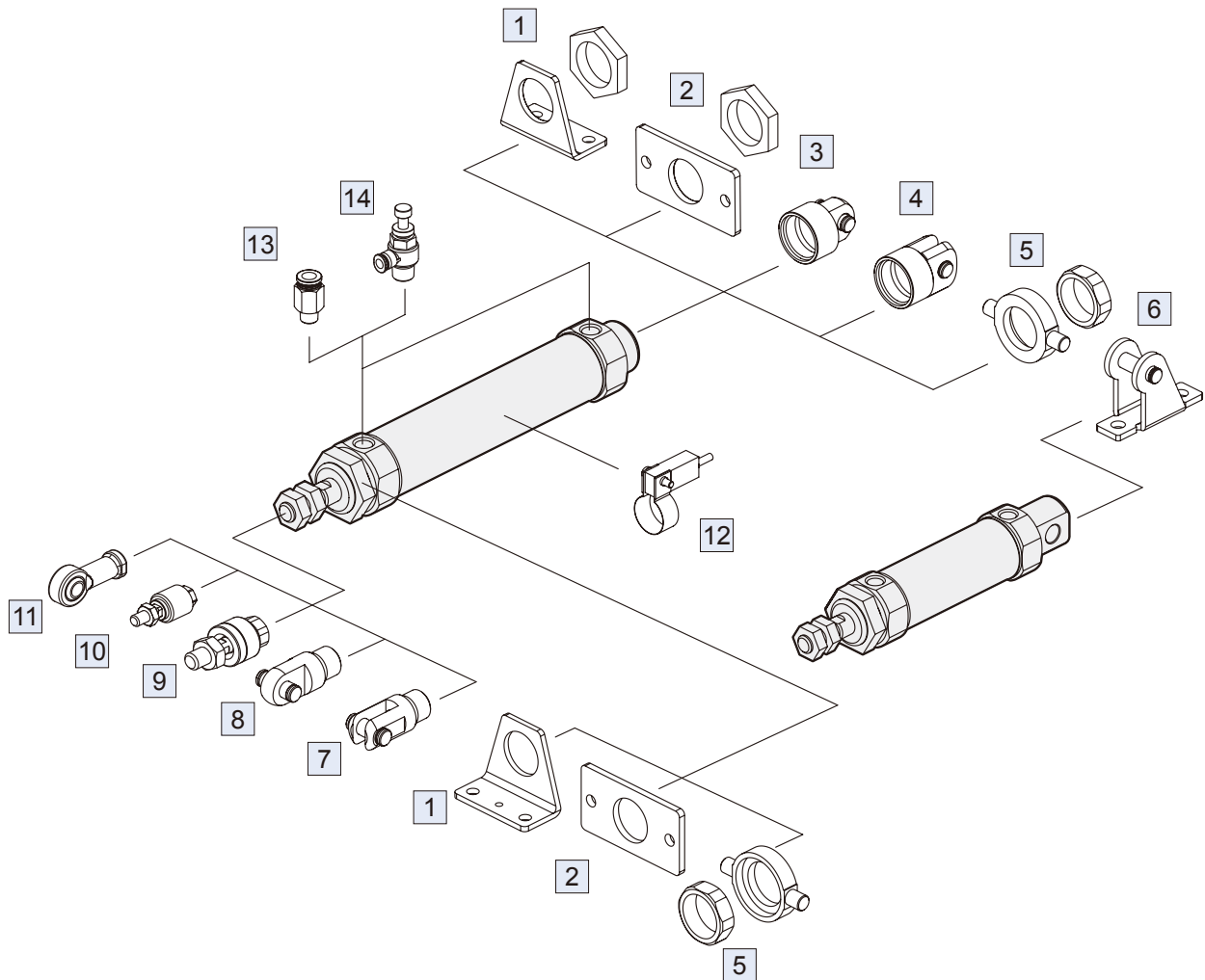
Tube I.D.	Component parts
ø20	CP-MCMB-20A
ø25	CP-MCMB-25A
ø32	CP-MCMB-32A
ø40	CP-MCMB-40A

Non-pivot type (End-plain)

Tube I.D.	Component parts
ø20	CP-MCMB-20A-N
ø25	CP-MCMB-25A-N
ø32	CP-MCMB-32A-N
ø40	CP-MCMB-40A-N

Pivot type

Tube I.D.	Component parts
ø20	CP-MCMB-20A-E
ø25	CP-MCMB-25A-E
ø32	CP-MCMB-32A-E
ø40	CP-MCMB-40A-E



No.	Accessories	Material	Page
1	Mounting accessories LB	Carbon steel	3-23
2	Mounting accessories FA/FB	Carbon steel	3-24
3	Mounting accessories CA+PIN	Carbon steel	3-23, 26
4	Mounting accessories CB+PIN	Carbon steel	3-23, 26
5	Mounting accessories TA/TB	Cast iron *2	3-25
6	Mounting accessories SDB+PIN (*1)	Carbon steel	3-24, 26
7	Accessories Y+PIN	Carbon steel *3	3-26
8	Accessories I+PIN	Carbon steel	3-26

No.	Accessories	Material	Page
9	Floating joint MFC	Carbon steel	8-2
10	Floating joint MFCS	Carbon steel	8-5
11	Female rod ends PHS	Carbon steel	8-6
12	Sensor switch RCM+BM**	-	8-16
13	Fitting PC (PISCO)	-	8-3 (Vol.1)
14	Speed controller JSC (PISCO)	-	8-15 (Vol.1)

*1. Only for end cover "E" type.

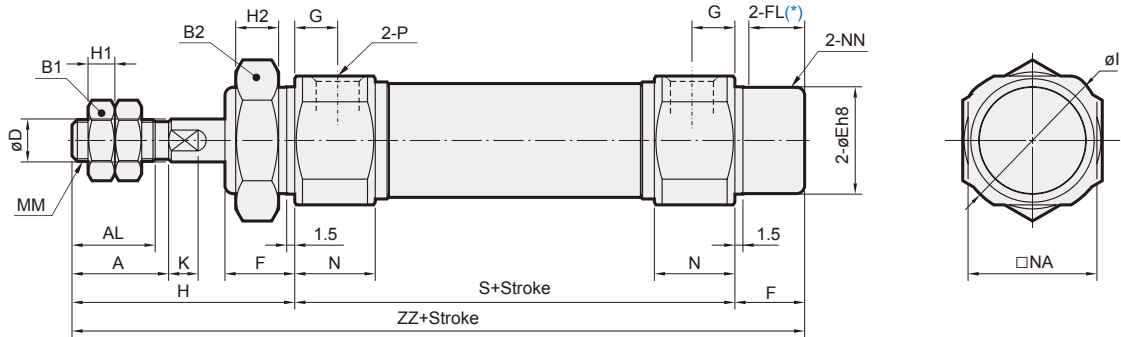
*2. $\varnothing 20$ material is carbon steel.

*3. Y accessories $\varnothing 40$ material is cast iron.

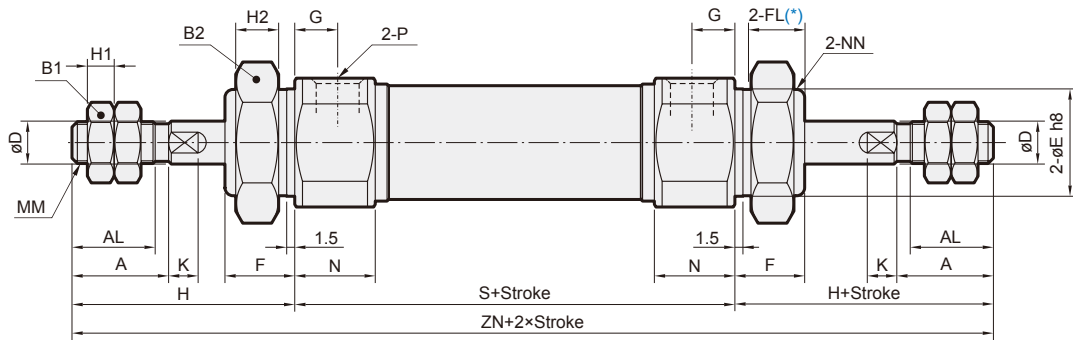
MINIATURE CYLINDER

mindman

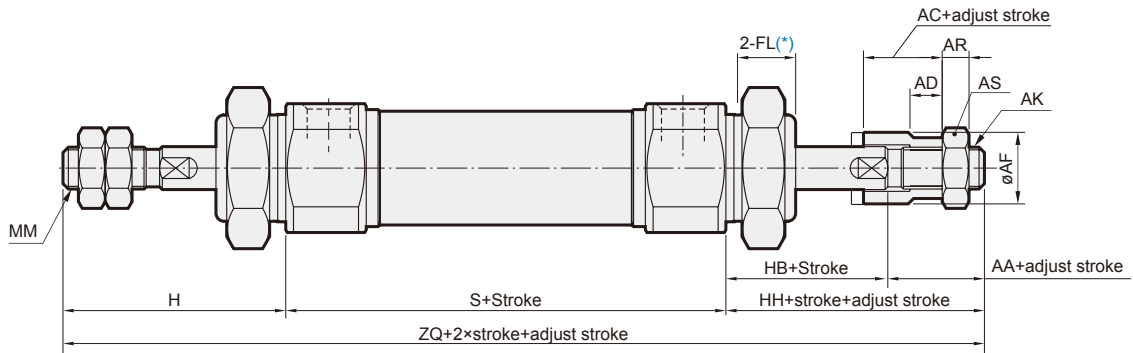
11



21



27



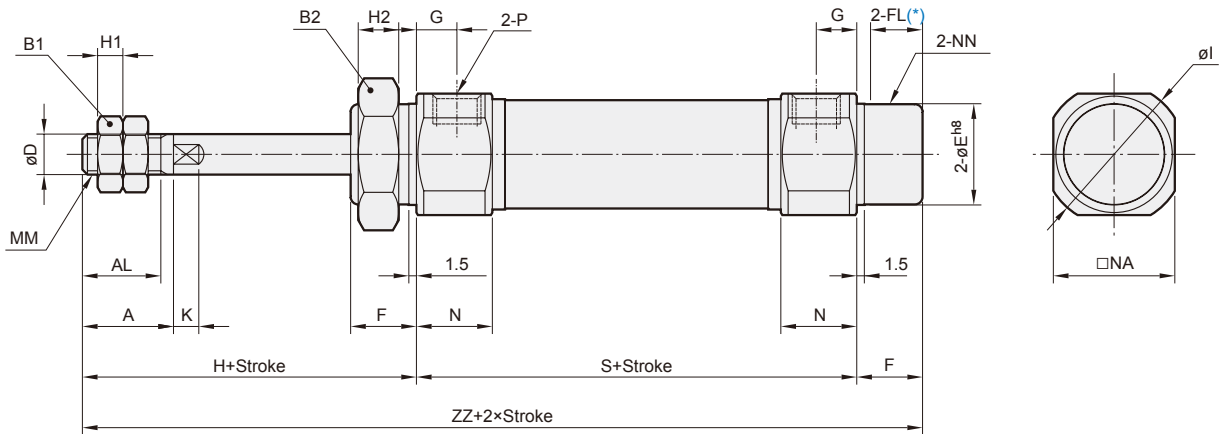
Unit: mm

Code Tube I.D.	A	AA	AC	AD	AF	AK	AL	AR	AS	B1	B2	D	E	F	FL	G	H	H1	H2	HB	HH	I	K	MM
20	18	17.5	15	9.5	16	M8×1.25	15.5	5	13	13	26	8	20 ⁰ _{-0.03}	13	10.5	8	41	5	8	20.5	38	28	5	M8×1.25
25	22	18.5	15	9.5	16	M8×1.25	19.5	5	13	17	32	10	26 ⁰ _{-0.03}	13	10.5	8	45	6	8	20.5	39	33.5	5	M10×1.25
32	22	16	12	7	20	M10×1.25	19.5	6	17	17	32	12	26 ⁰ _{-0.03}	13	10.5	8	45	6	8	20	36	37.5	5.5	M10×1.25
40	24	17	12	7	30	M12×1.25	21	7	19	22	41	14	32 ⁰ _{-0.04}	16	13.5	11	50	8	10	23	40	46.5	7	M14×1.5

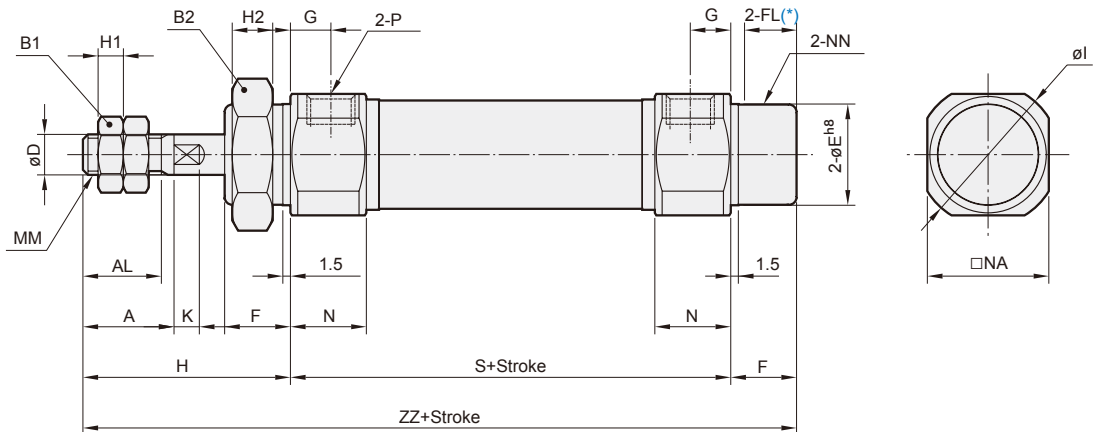
Code Tube I.D.	N	NA	NN	P	S	ZN	ZQ	ZZ
20	15	24	M20×1.5	Rc1/8	62	144	141	116
25	15	30	M26×1.5	Rc1/8	62	152	146	120
32	15	34.5	M26×1.5	Rc1/8	64	154	145	122
40	21.5	42.5	M32×2.0	Rc1/4	88	188	178	154

* FL: Effective thread length

13



15

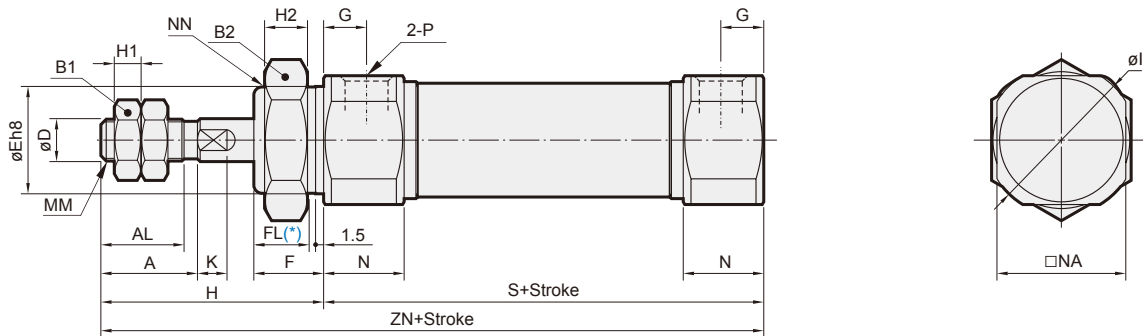


Code Tube I.D.	A	AL	B1	B2	D	E	F	FL	G	H	H1	H2	I	K	MM	N	NA	NN	P
20	18	15.5	13	26	8	20 ⁰ _{-0.03}	13	10.5	8	41	5	8	28	5	M8×1.25	15	24	M20×1.5	Rc1/8
25	22	19.5	17	32	10	26 ⁰ _{-0.03}	13	10.5	8	45	6	8	33.5	5	M10×1.25	15	30	M26×1.5	Rc1/8
32	22	19.5	17	32	12	26 ⁰ _{-0.03}	13	10.5	8	45	6	8	37.5	5.5	M10×1.25	15	34.5	M26×1.5	Rc1/8
40	24	21	22	41	14	32 ⁰ _{-0.04}	16	13.5	11	50	8	10	46.5	7	M14×1.5	21.5	42.5	M32×2.0	Rc1/4

Code Stroke Tube I.D.	S			ZZ		
	1~50	51~100	101~150	1~50	51~100	101~150
20	87	112	137	141	166	191
25	87	112	137	145	170	195
32	89	114	139	147	172	197
40	113	138	163	179	204	229

* FL: Effective thread length

N

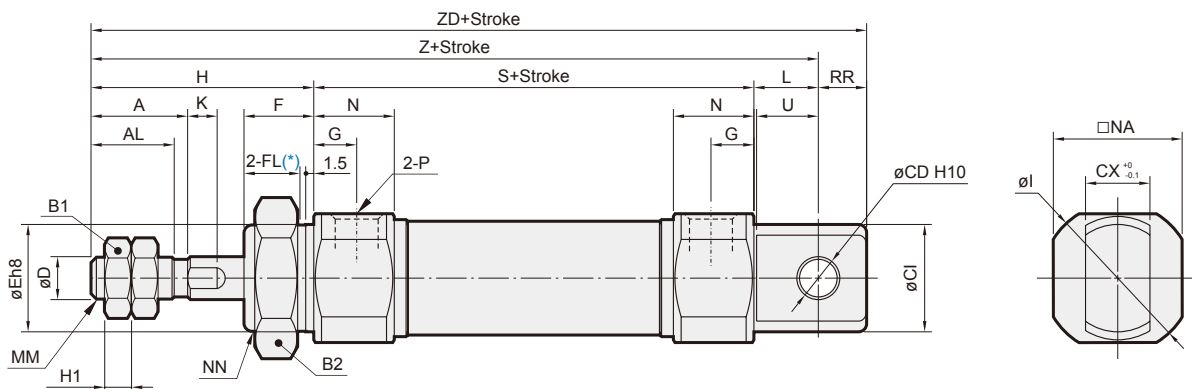


* FL: Effective thread length

Unit: mm

Code Tube I.D.	A	AL	B1	B2	D	E	F	FL	G	H	H1	H2	I	K	MM	N	NA	NN	P	S	ZN
20	18	15.5	13	26	8	20 ⁰ _{-0.03}	13	10.5	8	41	5	8	28	5	M8×1.25	15	24	M20×1.5	Rc1/8	62	103
25	22	19.5	17	32	10	26 ⁰ _{-0.03}	13	10.5	8	45	6	8	33.5	5	M10×1.25	15	30	M26×1.5	Rc1/8	62	107
32	22	19.5	17	32	12	26 ⁰ _{-0.03}	13	10.5	8	45	6	8	37.5	5.5	M10×1.25	15	34.5	M26×1.5	Rc1/8	64	109
40	24	21	22	41	14	32 ⁰ _{-0.04}	16	13.5	11	50	8	10	46.5	7	M14×1.5	21.5	42.5	M32×2.0	Rc1/4	88	138

E

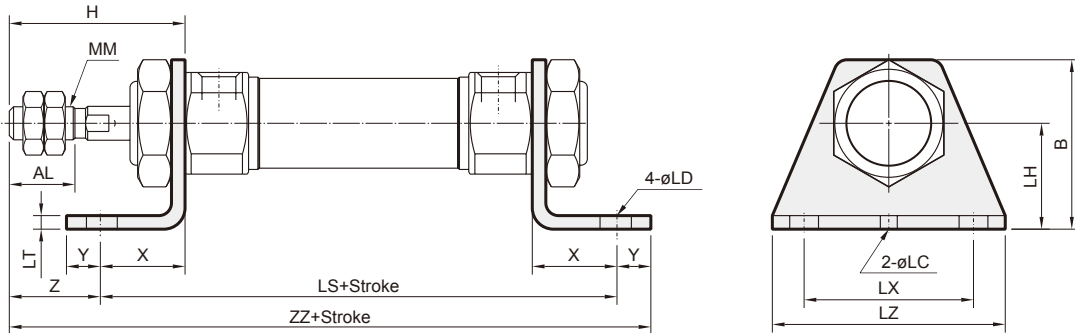


* FL: Effective thread length

Unit: mm

Code Tube I.D.	A	AL	B1	B2	CD	CX	CI	D	E	F	FL	G	H	H1	I	K	L	MM	N	NA	NN	P	RR	S	U	Z	ZD
20	18	15.5	13	26	8	12	20	8	20 ⁰ _{-0.03}	13	10.5	8	41	5	28	5	12	M8×1.25	15	24	M20×1.5	Rc1/8	9	62	11.5	115	124
25	22	19.5	17	32	8	12	22	10	26 ⁰ _{-0.03}	13	10.5	8	45	6	33.5	5	12	M10×1.25	15	30	M26×1.5	Rc1/8	9	62	11.5	119	128
32	22	19.5	17	32	10	20	27	12	26 ⁰ _{-0.03}	13	10.5	8	45	6	37.5	5.5	15	M10×1.25	15	34.5	M26×1.5	Rc1/8	12	64	14.5	124	136
40	24	21	22	41	10	20	33	14	32 ⁰ _{-0.04}	16	13.5	11	50	8	46.5	7	15	M14×1.5	21.5	42.5	M32×2.0	Rc1/4	12	88	14.5	153	165

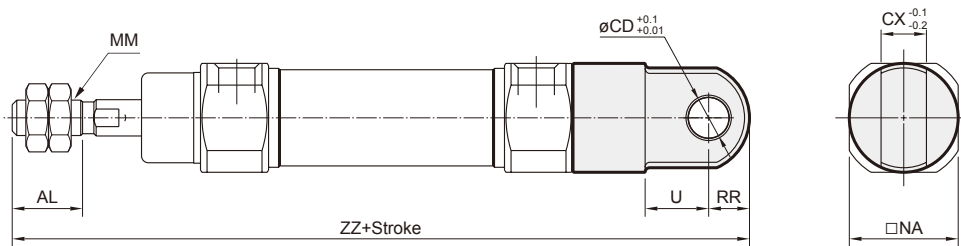
LB



Unit: mm

Code Tube I.D.	AL	B	H	LC	LD	LH	LS	LT	LX	LZ	MM	X	Y	Z	ZZ
20	15.5	40	41	4	6.8	25	102	3.2	40	55	M8×1.25	20	8	21	131
25	19.5	47	45	4	6.8	28	102	3.2	40	55	M10×1.25	20	8	25	135
32	19.5	47	45	4	6.8	28	104	3.2	40	55	M10×1.25	20	8	25	137
40	21	54	50	4	7	30	134	3.2	55	75	M14×1.5	23	10	27	171

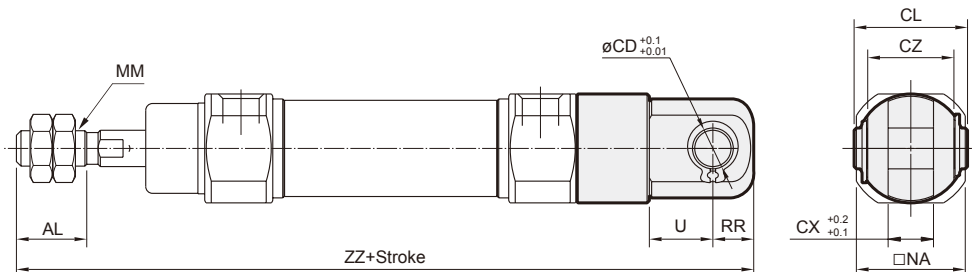
CA



Unit: mm

Code Tube I.D.	AL	CD	CX	MM	NA	RR	U	ZZ
20	15.5	9	10	M8×1.25	24	9	14	142
25	19.5	9	10	M10×1.25	30	9	14	146
32	19.5	9	10	M10×1.25	34.5	9	14	148
40	21	10	15	M14×1.5	42.5	11	18	188

CB

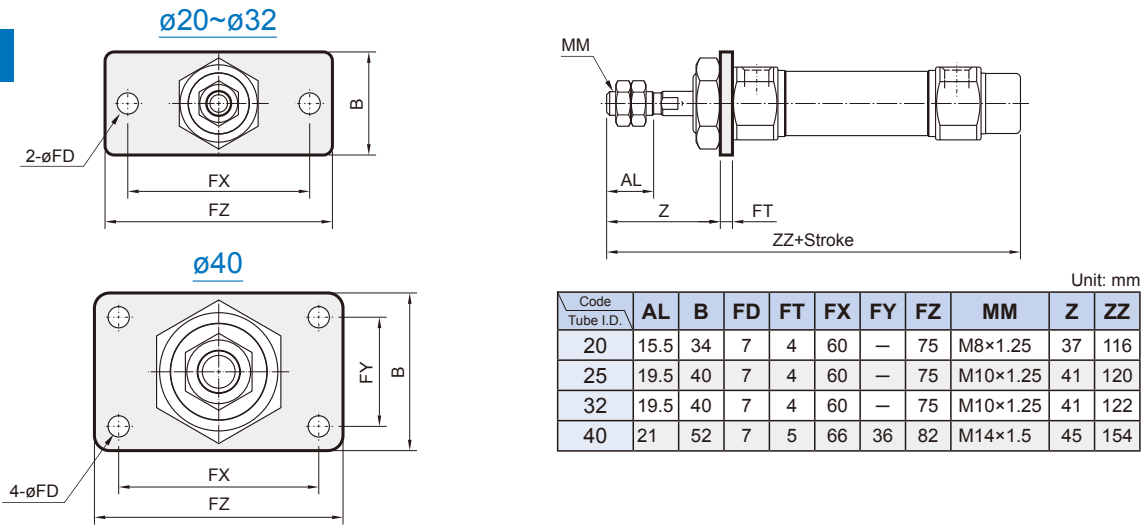


Unit: mm

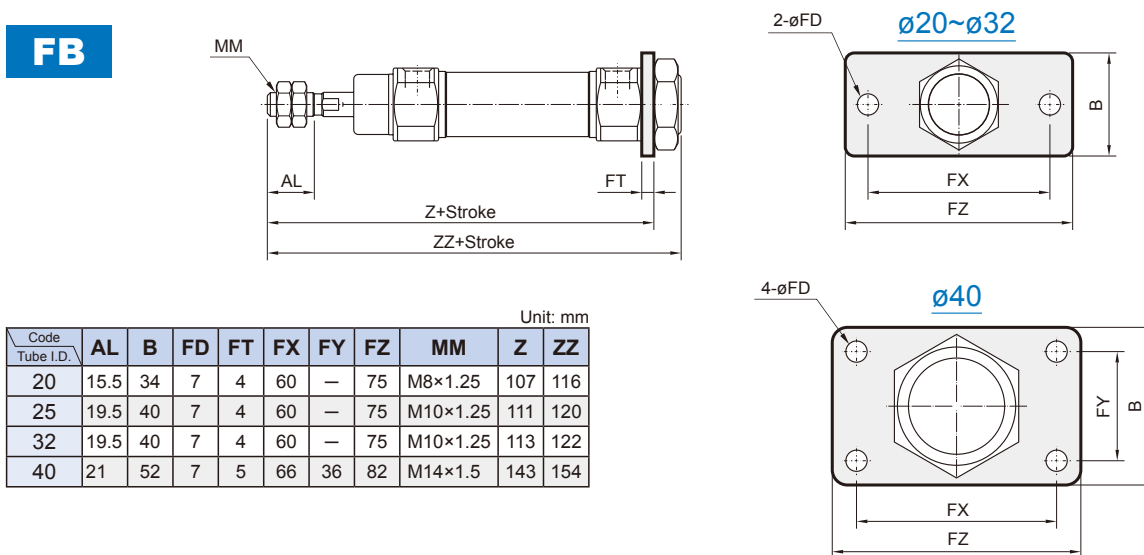
Code Tube I.D.	AL	CD	CL	CX	CZ	MM	NA	RR	U	ZZ
20	15.5	9	25	10	19	M8×1.25	24	9	14	142
25	19.5	9	25	10	19	M10×1.25	30	9	14	146
32	19.5	9	25	10	19	M10×1.25	34.5	9	14	148
40	21	10	41.2	15	30	M14×1.5	42.5	11	18	188

MINIATURE CYLINDER

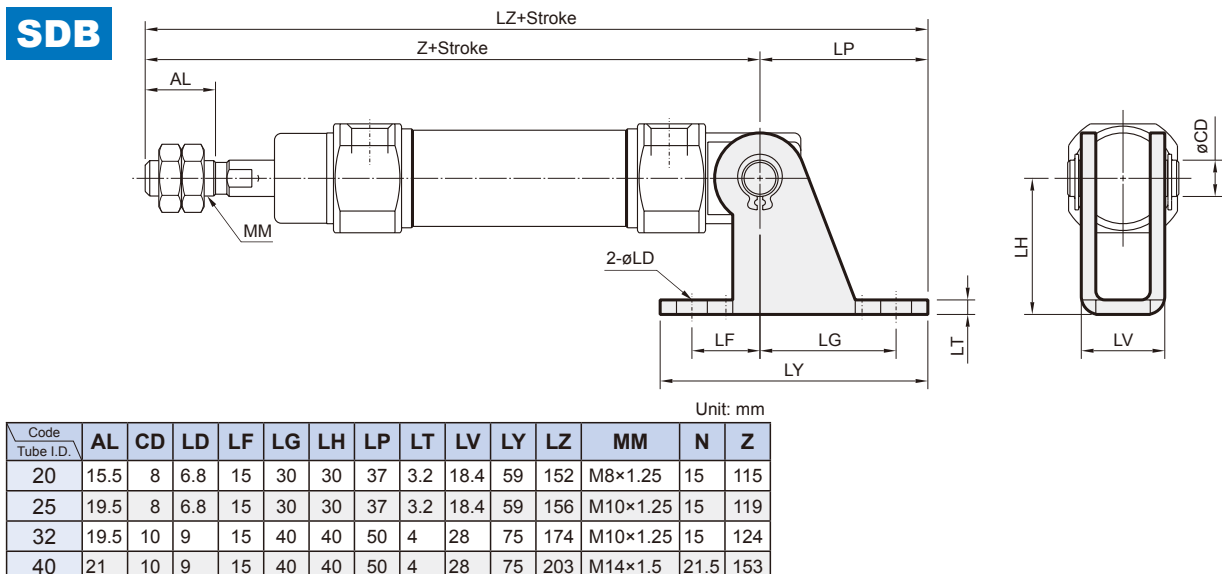
FA



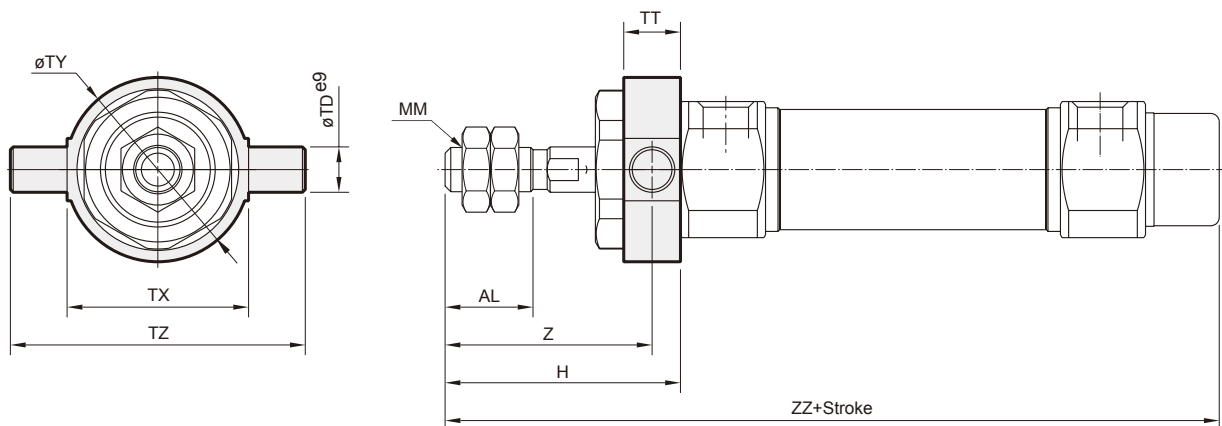
FB



SDB



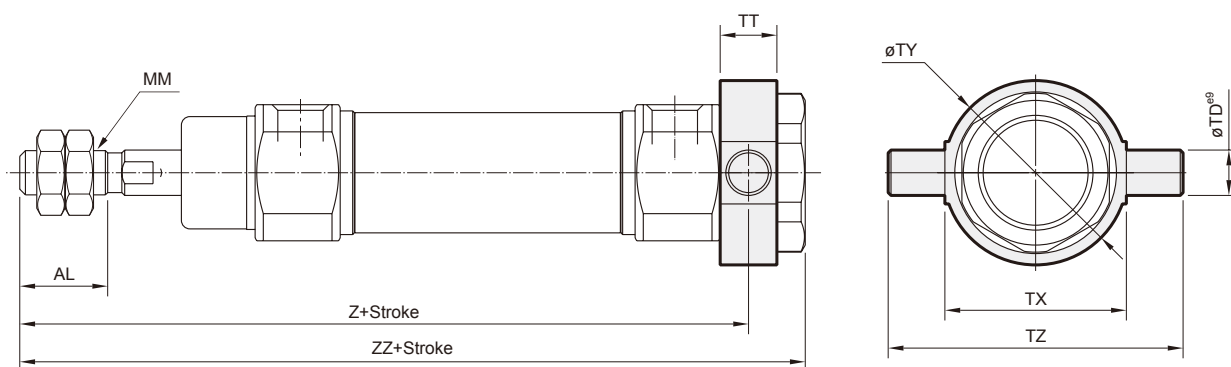
TA



Unit: mm

Code Tube I.D.	AL	H	MM	TD	TT	TX	TY	TZ	Z	ZZ
20	15.5	41	M8×1.25	8	10	32	32.5	52	36	116
25	19.5	45	M10×1.25	9	10	40	40.5	60	40	120
32	19.5	45	M10×1.25	9	10	40	40.5	60	40	122
40	21	50	M14×1.5	10	11	53	53.5	77	44.5	154

TB



Unit: mm

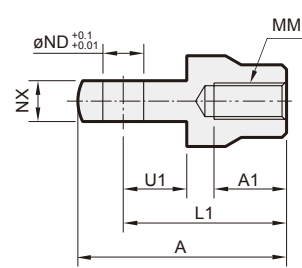
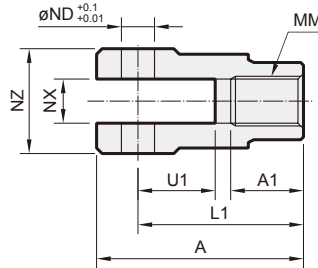
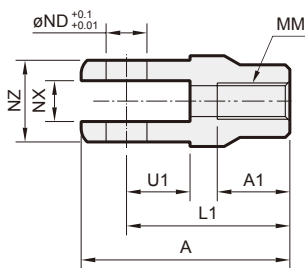
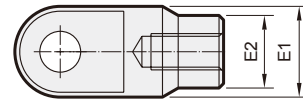
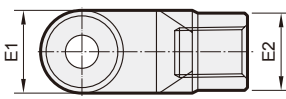
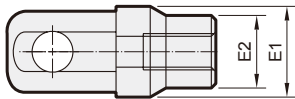
Code Tube I.D.	AL	MM	TD	TT	TX	TY	TZ	Z	ZZ
20	15.5	M8×1.25	8	10	32	32.5	52	108	118
25	19.5	M10×1.25	9	10	40	40.5	60	112	122
32	19.5	M10×1.25	9	10	40	40.5	60	114	124
40	21	M14×1.5	10	11	53	53.5	77	143.5	154

Y connector

I connector

$\phi 20 \sim \phi 32$

$\phi 40$



Unit: mm

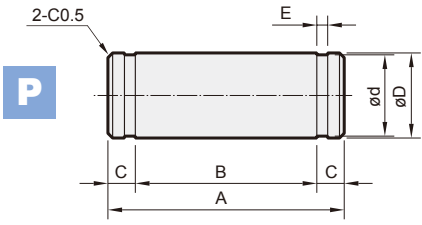
Code Tube I.D.	A	A1	E1	E2	L1	MM	ND	NX	NZ	U1
20	46	16	$\phi 20$	$\phi 16$	36	M8 \times 1.25	9	9 ^{+0.2} / _{+0.1}	18	14
25, 32	46	16	$\phi 20$	$\phi 16$	36	M10 \times 1.25	9	9 ^{+0.2} / _{+0.1}	18	14
40	68	25	$\phi 26$	$\phi 24$	55	M14 \times 1.5	12	16 ^{+0.3} / _{+0.1}	38	25

Unit: mm

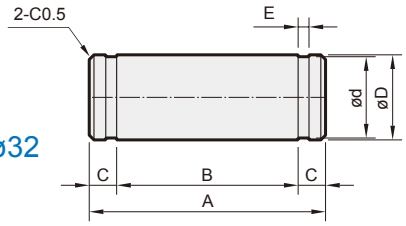
Code Tube I.D.	A	A1	E1	E2	L1	MM	ND	NX	U1
20	46	16	$\phi 20$	$\phi 16$	36	M8 \times 1.25	9	9 ^{+0.1} / _{+0.2}	14
25, 32	46	16	$\phi 20$	$\phi 16$	36	M10 \times 1.25	9	9 ^{+0.1} / _{+0.2}	14
40	69	22	$\phi 24$	—	55	M14 \times 1.5	12	16 ^{+0.1} / _{+0.2}	20

PIN

P

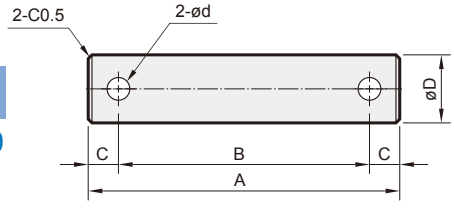


$\phi 20 \sim \phi 32$



P

$\phi 40$



for SDB

Code Tube I.D.	A	B	C	ϕD^{dg}	ϕd	E	Snap ring
20~25	24.5	19.5	2.5	8 ^{-0.04} / _{-0.08}	7.6 ⁰ / _{-0.06}	0.9 ^{+0.10} / ₀	STW-8
32~40	34	29	2.5	10 ^{-0.04} / _{-0.08}	9.6 ⁻⁰ / _{-0.09}	1.15 ^{+0.14} / ₀	STW-9

for CB & Y connector

Code Tube I.D.	A	B	C	ϕD^{dg}	ϕd	E	Snap ring Split pin
20~32-CB, Y	25	19.2	2.9	9 ^{-0.04} / _{-0.08}	8.6 ⁰ / _{-0.06}	1.15 ^{+0.14} / ₀	STW-9
40-CB	41.2	33.2	4	10 ^{-0.04} / _{-0.08}	3.2	—	$\phi 3.2 \times 20L$
40-Y	49.7	41.7	4	12 ^{-0.05} / _{-0.09}	3.2	—	$\phi 3.2 \times 20L$