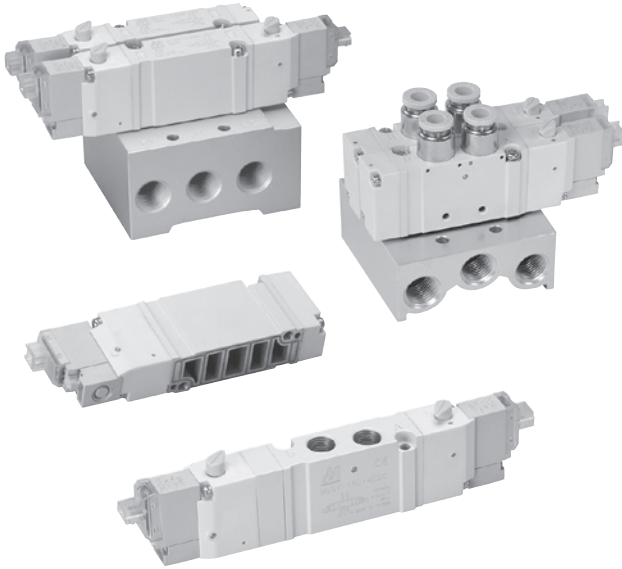


MVSY-156 series

SOLENOID VALVE



mindman

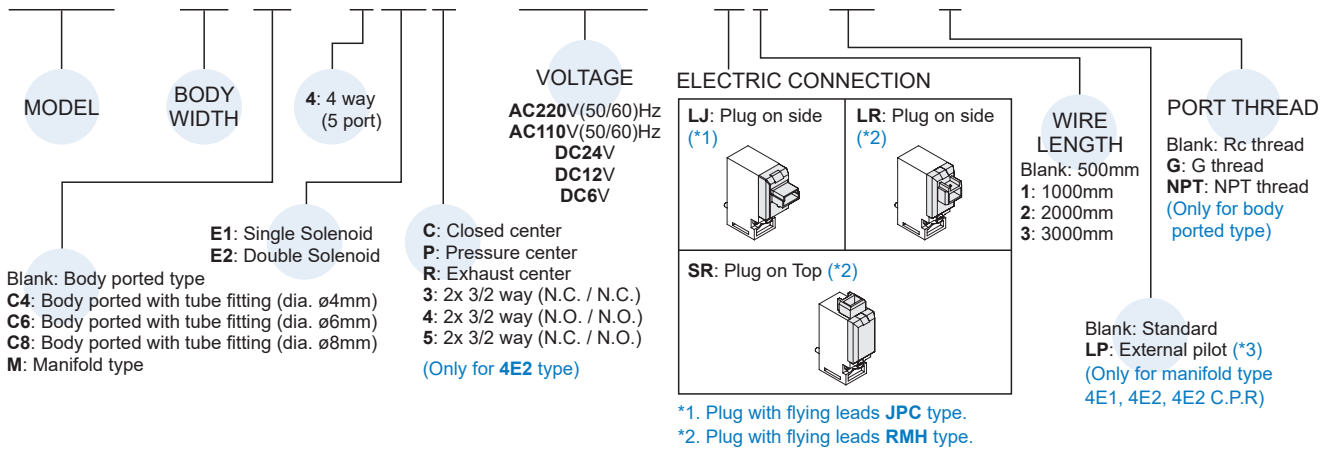


Specification

Model		4E1	4E2	4E2 C.P.R	4E2 3.4.5
Bore No.		6A			
Port size		1/8			
No. of port		5			
No. of position		2	3	4	
Medium		Air			
Operating pressure range		0.15~0.7 MPa	0.2~0.7 MPa		
Operating pressure (LP)		0~0.7 MPa			-
Pilot pressure range (LP)		0.2~0.7 MPa	0.25~0.7 MPa	-	
Proof pressure		1 MPa			
Effective orifice	Body ported	11 mm ²	9.5 / 14.6 / 9.5 mm ²		11 mm ²
	Manifold	10 mm ²	7.5 / 13 / 8 mm ²		10 mm ²
	Manifold (LP)	8 mm ²	7.5 / 8 / 7.5 mm ²		-
Reponse time		19 ms	20 ms	25 ms	
Ambient temperature		+5~+50°C			
Max. operating frequency		5 Hz			
Voltage		AC110V, 220V (50/60)Hz, DC24/12/6V			
Power consumption		AC=1.6/2.5VA, DC6=1.2W, DC12/24=0.55W			
Available voltage range		±10%			
Insulation class		B class			
Weight		63 g	82 g	102 g	82 g

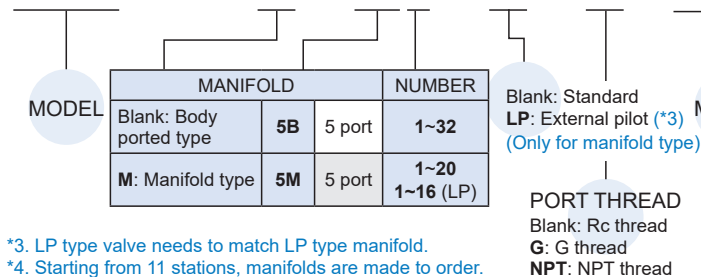
Order example of valve

MVSY — 156M — 4E2C — AC110 — LJ1 — LP — G



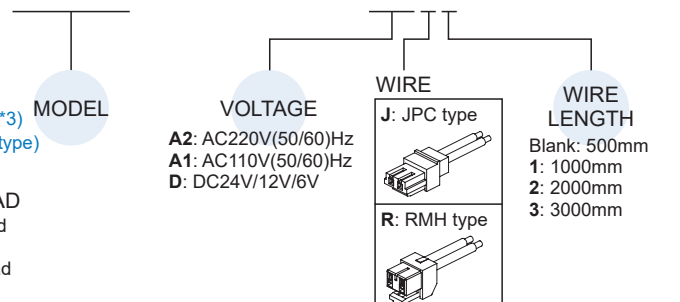
Order example of manifold

MVSY — 156M — 5B3 — LP — G



Order example of wire

MVDY — 100 — WA2J2

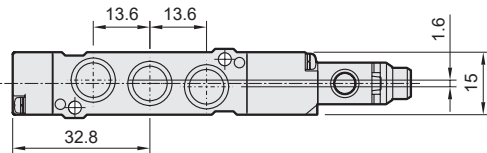
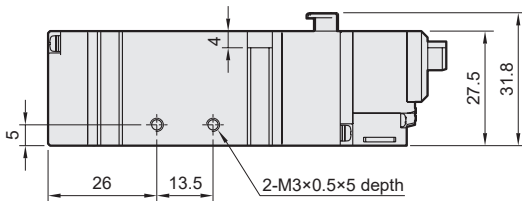
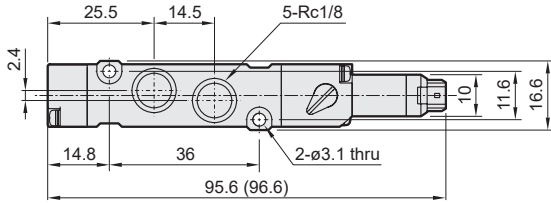
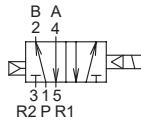


MVSY-156 Dimensions

SOLENOID VALVE



MVSY-156-4E1

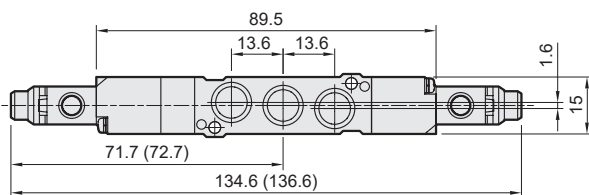
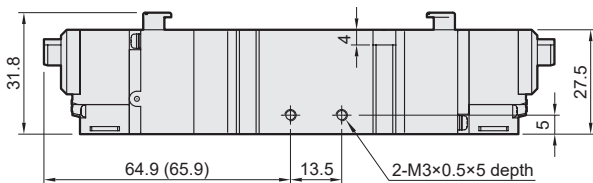
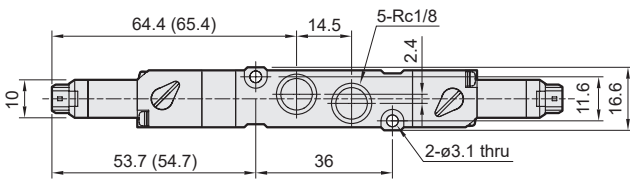
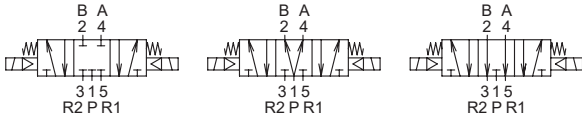


MVSY-156-4E2C.P.R

MVSY-156-4E2C

MVSY-156-4E2P

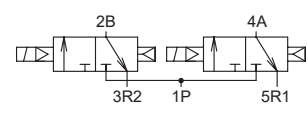
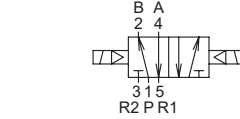
MVSY-156-4E2R



MVSY-156-4E23.4.5

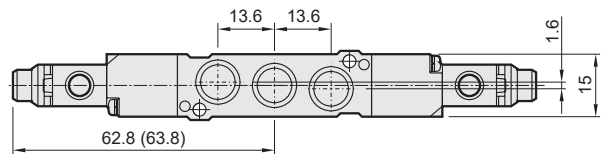
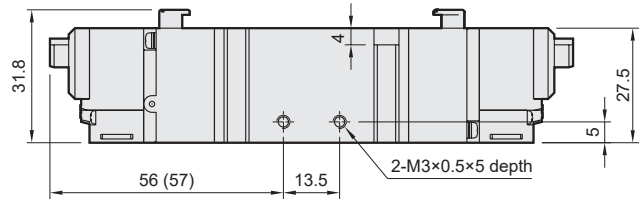
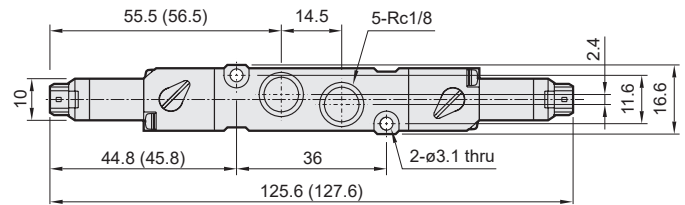
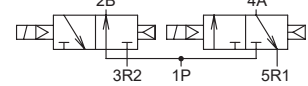
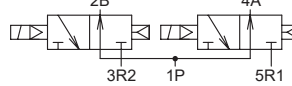
MVSY-156-4E2

MVSY-156-4E23



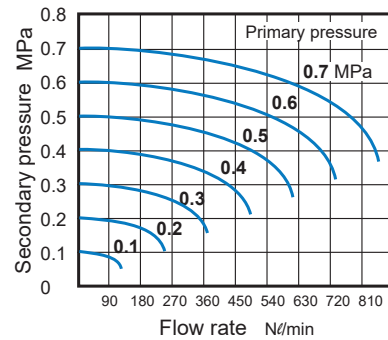
MVSY-156-4E24

MVSY-156-4E25

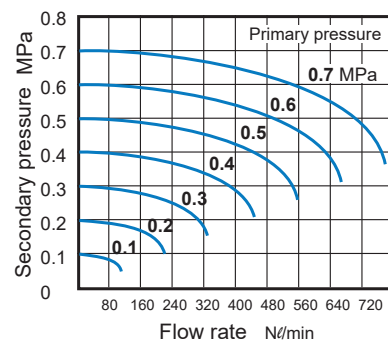


Flow features

MVSY-156-4E1/4E2



MVSY-156M-4E1/4E2



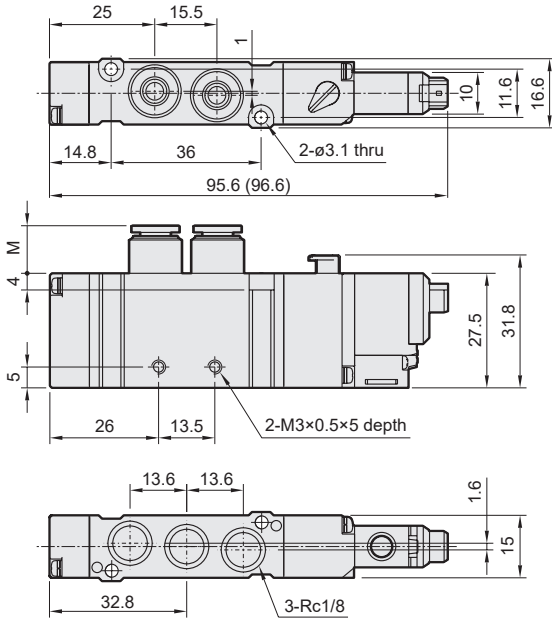
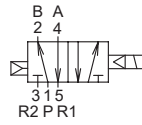
() : Dimension for LJ plug type.

MVSY-156 Dimensions

SOLENOID VALVE

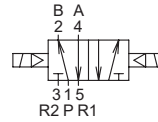


MVSY-156C*-4E1

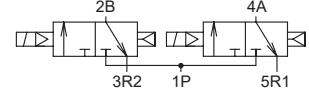


MVSY-156C*-4E23.4.5

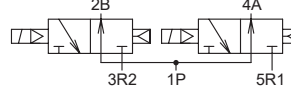
MVSY-156-4E2



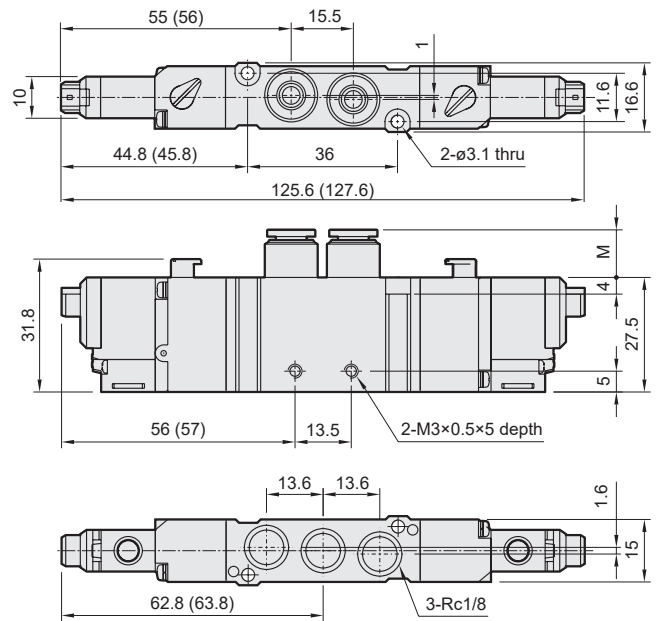
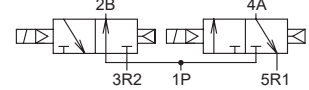
MVSY-156-4E23



MVSY-156-4E24

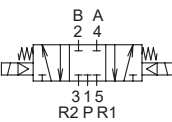


MVSY-156-4E25

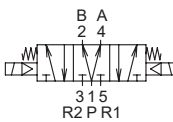


MVSY-156C*-4E2C.PR

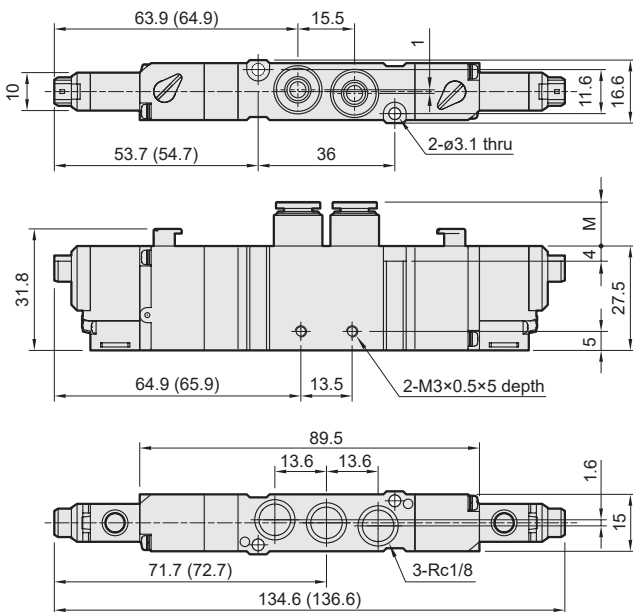
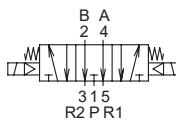
MVSY-156-4E2C



MVSY-156-4E2P



MVSY-156-4E2R



Code Tube fitting	M
C4 (ϕ 4)	(13.8)
C6 (ϕ 6)	(14.7)
C8 (ϕ 8)	(19.3)

(): Dimension for LJ plug type.

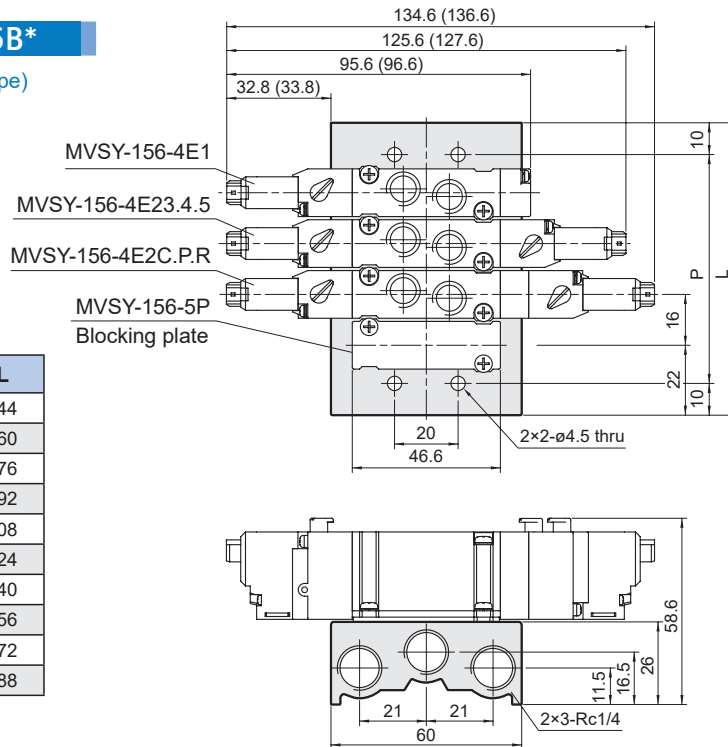
MVSY-156 Manifold

SOLENOID VALVE



MVSY-156-5B*

5 port (for body ported type)



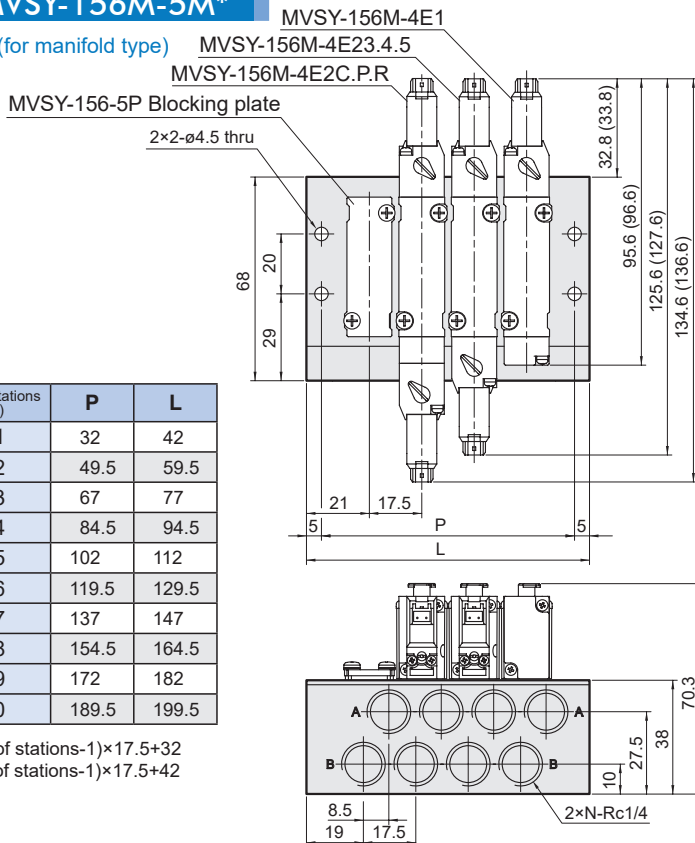
No. of stations	P	L
1	24	44
2	40	60
3	56	76
4	72	92
5	88	108
6	104	124
7	120	140
8	136	156
9	152	172
10	168	188

P: (No. of stations-1)×16+24

L: (No. of stations-1)×16+44

MVSY-156M-5M*

5 port (for manifold type)



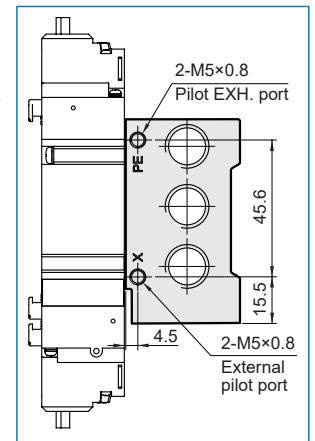
No. of stations (N)	P	L
1	32	42
2	49.5	59.5
3	67	77
4	84.5	94.5
5	102	112
6	119.5	129.5
7	137	147
8	154.5	164.5
9	172	182
10	189.5	199.5

P: (No. of stations-1)×17.5+32

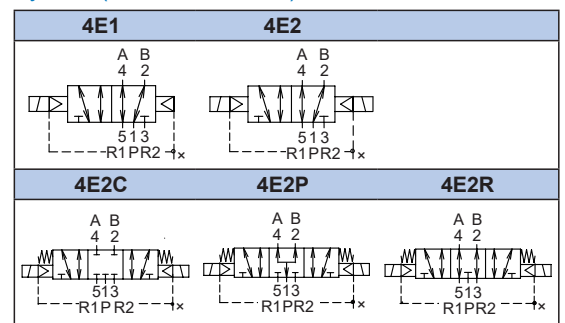
L: (No. of stations-1)×17.5+42

LP

External pilot



Symbol (LP : External pilot)



() : Dimension for LJ plug type.

MVSY-156 Mounting bracket & Spacer assembly

SOLENOID VALVE



Mindman

Order example of bracket

MVSY – 156 – 1A

MODEL

MOUNTING BRACKET

1A
2A

Order example of spacer assembly

MVSY – 156M – 5BP

MODEL

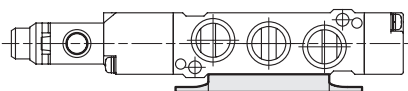
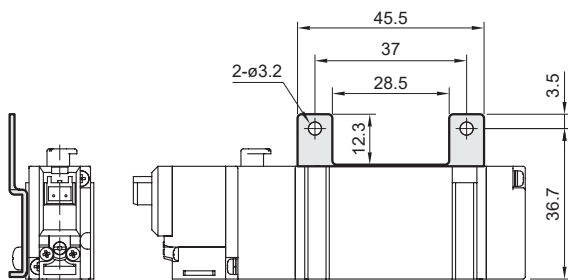
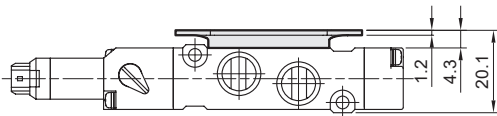
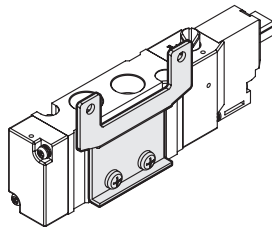
5B: 5 Port (for body ported type)
5M: 5 Port (for Manifold type)

SPACER
ASSEMBLY

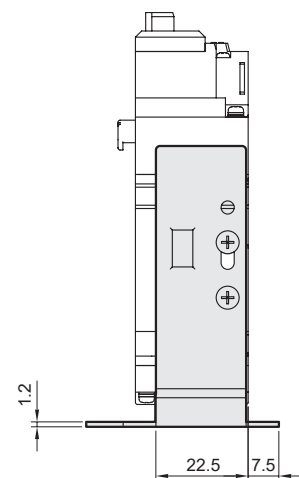
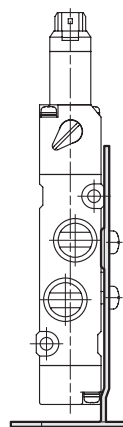
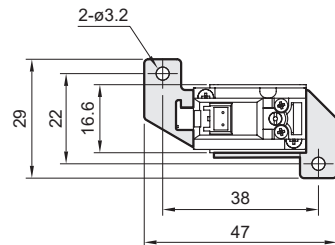
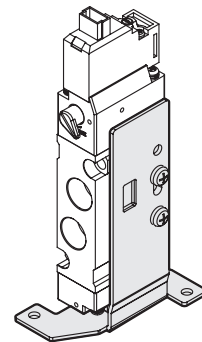
Blank: Body ported type
M: Manifold type

P: Individual SUP spacer assembly
R: Individual EXH spacer assembly
PR: Individual SUP spacer assembly+
Individual EXH spacer assembly

MVSY-156-1A



MVSY-156-2A



MVSY-156 Spacer assembly

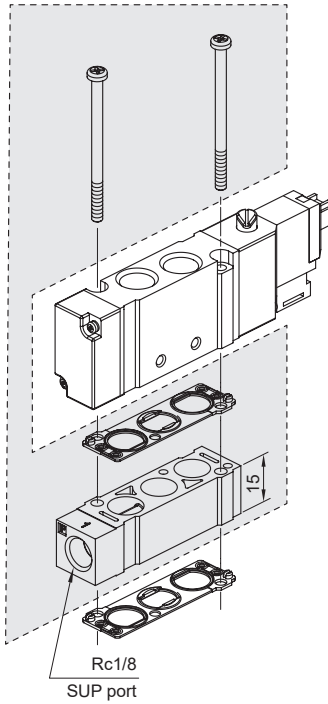
SOLENOID VALVE



for body ported type

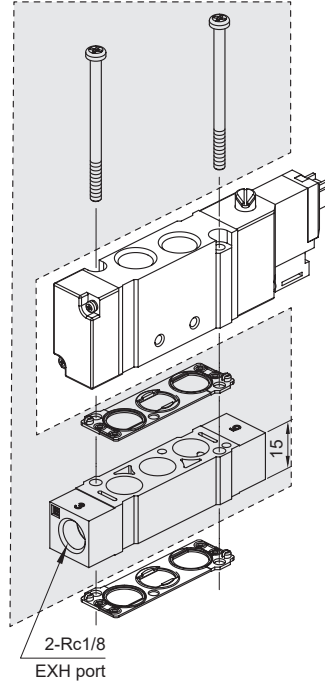
MVSY-156-5BP

Individual SUP spacer assembly



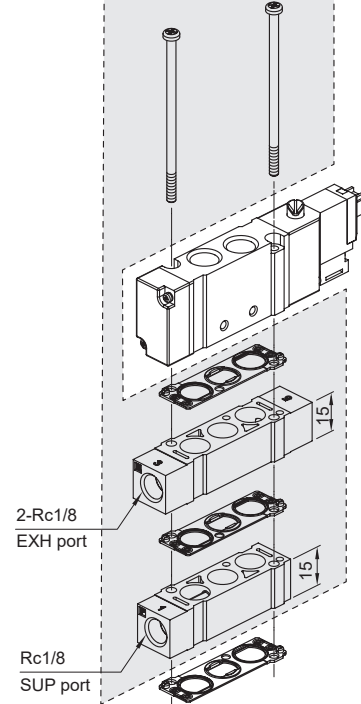
MVSY-156-5BR

Individual EXH spacer assembly



MVSY-156-5BPR

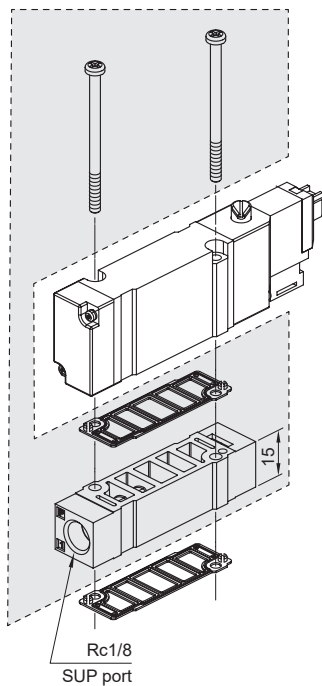
Individual SUP spacer assembly+
Individual EXH spacer assembly



for manifold type

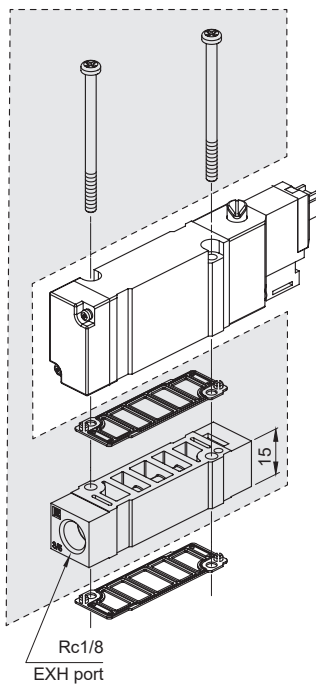
MVSY-156M-5MP

Individual SUP spacer assembly



MVSY-156M-5MR

Individual EXH spacer assembly



MVSY-156M-5MPR

Individual SUP spacer assembly+
Individual EXH spacer assembly

