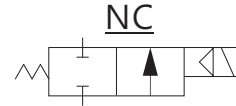
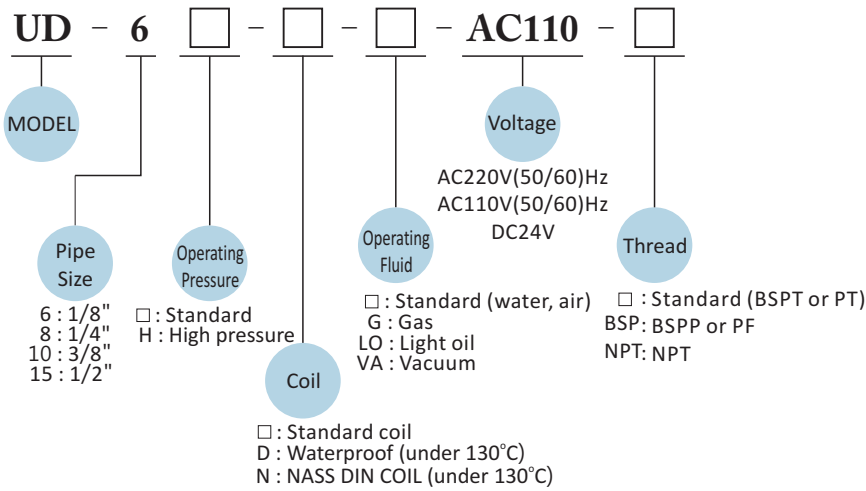


UD-6~15

UD Series



PRODUCT DESCRIPTION

- UD series is direct-acting, conductive, and normally closed (NC) 2/2 way solenoid valve.
- Able to operate under no differential pressure
- Applied fluid type : water, air, light oil, gas, vacuum
- Acceptable for customization: Viton (130°C) , Silicone (130°C) and EPDM (130°C) for seal plug

CAUTIONS:

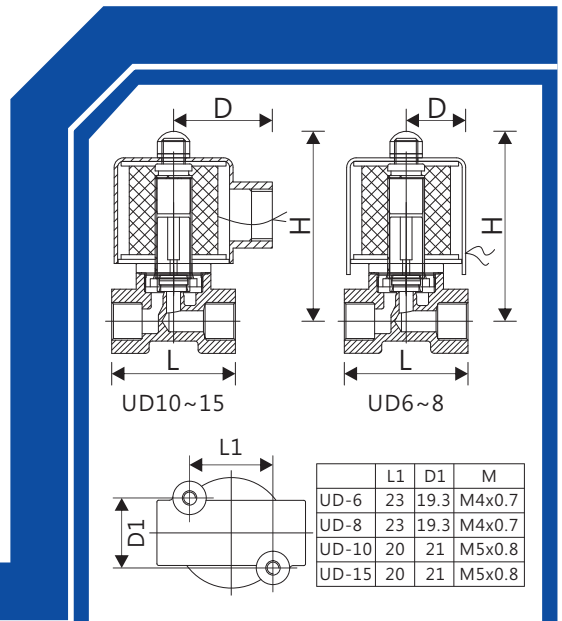
- Before pipelining, the pipe line must be very clean without any contaminants or impurity.
- To extend the lifetime, Y-line filter should be installed in the front end of solenoid valve.
- AC voltage tolerance: $\pm 10\%$; DC voltage tolerance: $\pm 1\%$
- It should be installed horizontally; vertical installation is not advisable.

Not Suitable For Fluid As Below:

- Liquid status when it is in high temperature; solid status when it is in low temperature.
- Corrosive fluid
- Viscosity over 20cst

MATERIAL:

PARTS	Coil	Tube	Spring	Core	Plug	O-ring	Valve body
MATERIAL	Special copper wire (H class)	Stainless steel	Stainless steel	Stainless steel	NBR (Viton, Silicone, PTFE)	NBR (PTFE)	Forged Brass



SPECIFICATION

MODEL	Waterproof DIN/flying lead Coil	NASS DIN Coil (IP65)	PIPE SIZE	CV	ORIFICE	FLUID TEMP. (°C)	Operating Pressure kgf / cm ² (bar)					Vacuum (Torr)	Dimension (mm)			Weight (kg)
							Water	Air	Steam	Light oil	Gas		L	H	D	
UD-6	●		1/8"	0.23	2.5mm	-5°C ~ +80°C	0~7	0~7		0~7	0~7	0~10 ⁻³	41	66	21.5	0.32
UD-8	●		1/4"	0.23	2.5mm	-5°C ~ +80°C	0~7	0~7		0~7	0~7	0~10 ⁻³	41	66	21.5	0.31
UD-8	●		1/4"	0.58	4mm	-5°C ~ +80°C	0~3	0~3		0~3	0~3	0~10 ⁻³	41	66	21.5	0.31
UD-8			1/4"	0.79	6mm	-5°C ~ +80°C	0~1	0~1		0~1	0~1	0~10 ⁻³	41	66	21.5	0.31
UD-8H			1/4"	0.18	1.2mm	-5°C ~ +130°C	0~20	0~20		0~20	0~20	0~10 ⁻³	41	66	21.5	0.31
UD-10	●	●	3/8"	0.58	4mm	-5°C ~ +80°C	0~10	0~10		0~10	0~10	0~10 ⁻³	53	75	48	0.53
UD-10			3/8"	0.79	8mm	-5°C ~ +80°C	0~3	0~3		0~3	0~3	0~10 ⁻³	53	90	48	0.65
UD-10H	●		3/8"	0.45	2mm	-5°C ~ +130°C	0~20	0~20		0~20	0~20	0~10 ⁻³	53	75	48	0.54
UD-15			1/2"	0.58	8mm	-5°C ~ +80°C	0~3	0~3		0~3	0~5	0~10 ⁻³	53	90	48	0.64