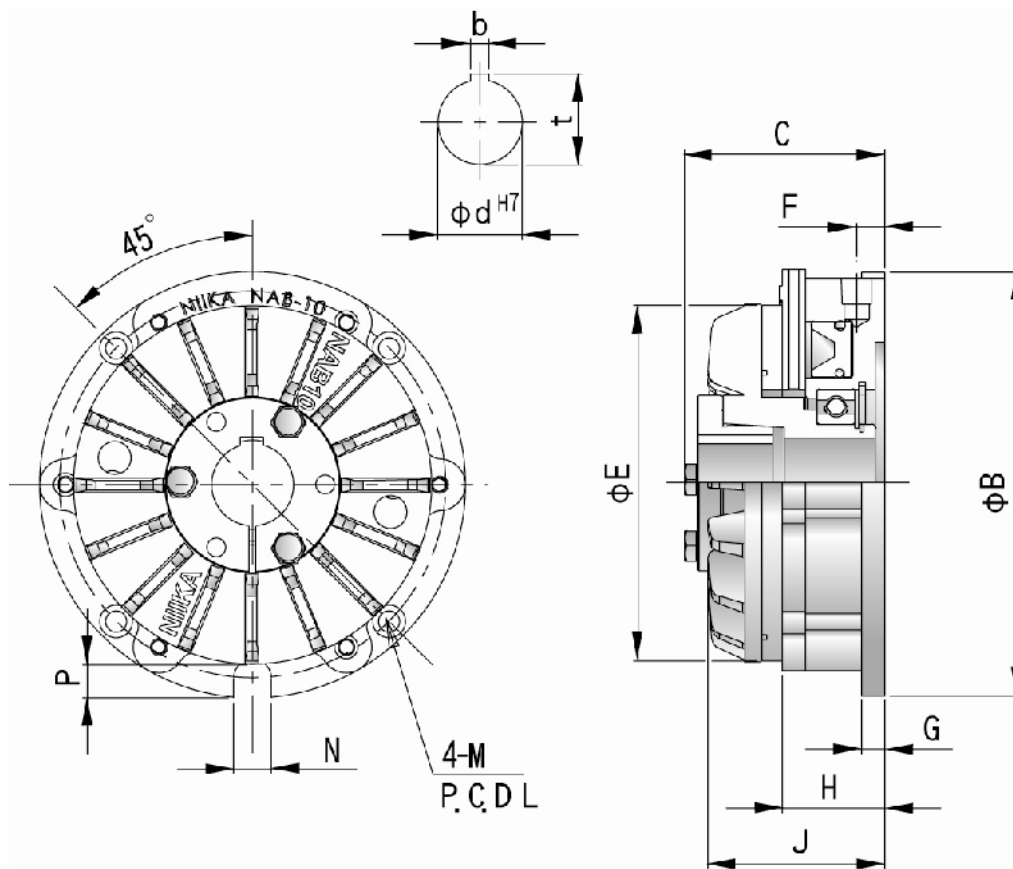


Size	NAB 5T	NAB 10T	NAB 20T	NAB 40	NAB 65T
Static Torque kgm	5	10	20	40	65
Bore Dia ϕd^{H7}	20 25	25 35	35 50	50 75	50 75
Keyway b x t	5x22.3 6x27.8	6x27.8 10x38.3	10x38.3 12x53.3	12 x 53.3 18x79.4	12x53.3 18x79.4
Unit Weight kg	4	7.5	14	32	40

● Approximate Dimension



Size	B	C	D	E	F	G	H	J	K	L	M	N	P
NAB 5T	150	68	27.8	117	12	7	34.5	64	PT1/4	135	7	10	16.5
NAB 10T	182	85.5	38	153	12	10	44	77	PT1/4	165	9	16	17
NAB 20T	228	96	57	204	11	10	47	87	PT1/4	210	9	20	20
NAB 40T	302	120	83	256	18	13	58.5	114	PT1/4	278	14	22	22
NAB 65T	350	141	83	280	20	18	70	134	PT1/4	320	18	25	30

NIKA Limited reserves the right to modify or change the design without prior notice.